

# Solatube® 160 DS/290 DS Thermal Insulation Panel Installation Instructions

## OVERVIEW

The Solatube Thermal Insulation Panel is designed for superior thermal performance. This product must be installed according to the installation instruction provided.

**Note:** Install the Thermal Insulation Panel after the bottom tube assembly has been installed and fastened to the ceiling.

## Solatube Thermal Panel Assembly

**Step 1.** Remove protective lining from the Thermal Insulation Panels.

**Step 2.** Place the two Thermal Insulation Panels together and install the clips one at a time in the order shown. **(Diagram A, B)**

**Step 3.** Insert the assembled Thermal Insulation Panel into the bottom tube assembly and angle it down to fit the diameter of the tubing. **(Diagram C)**

**Step 4.** Pull down evenly on the tabs of the Thermal Insulation Panel until it rests evenly against the T-clips on the bottom tube. Ensure the bottom two tube rivets are between the two panels to allow the panel to lay evenly. **(Diagram D)**

Continue with diffuser installation in the standard installation instructions.

The following steps are provided for lamp replacement if a Solatube Light Add-On Kit has been installed.

**Warning: Use of a standard incandescent bulb may cause fire or damage to the Thermal Insulation Panel. Do not use any bulb larger than a 14 Watt screw in compact fluorescent bulb or a bulb that does not exceed 4 1/4 (6 mm) in total length (equivalent to a 60 Watt incandescent bulb).**

## Light Add On Kit Lamp Replacement

**Step 1.** Remove the diffuser and the Natural Effect Lens for Climate Control if installed.

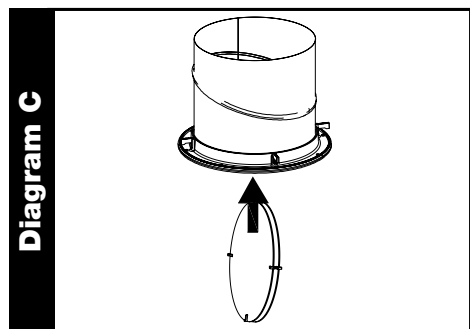
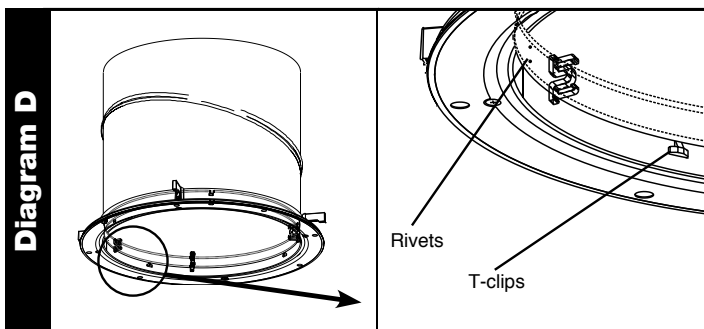
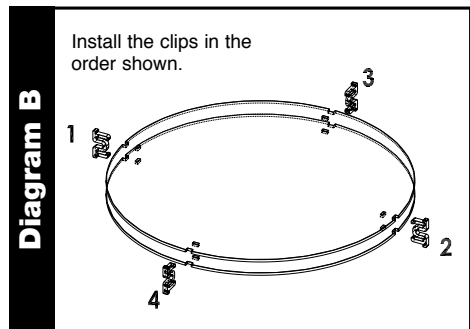
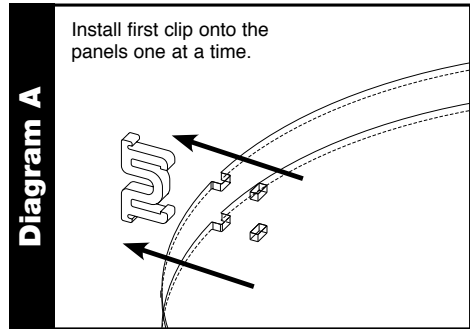
**Step 2.** Push up on the Thermal Insulation Panel. Carefully angle and remove the Thermal Insulation Panel from the bottom tube assembly (use caution to not drop the Thermal Insulation Panel).

**Step 3.** Remove and replace the light bulb.

Follow steps 3 and 4 in the above section to replace the Thermal Insulation Panel.

## PARTS LIST

	QTY
1. Thermal Insulation Panel	(2)
2. Thermal Insulation Panel Clips	(4)



For more information please Call  
231-399-0700